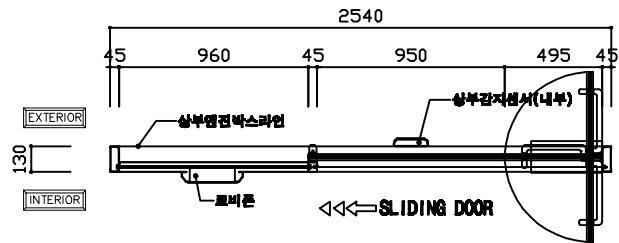
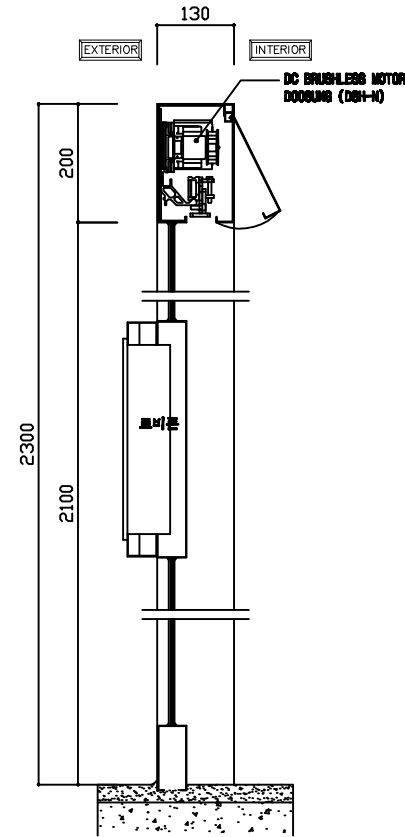


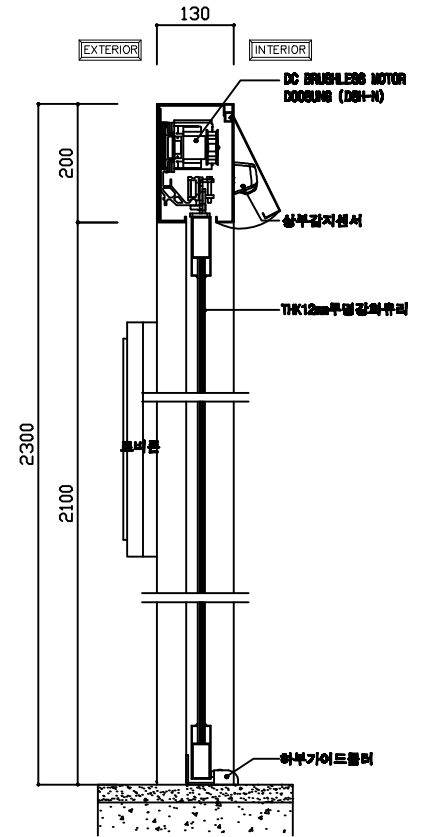
ELEVATION [EXTERIOR]



HORIZONTAL SECTION [A-A']



VERTICAL SECTION (FIX)



VERTICAL SECTION (OPEN)