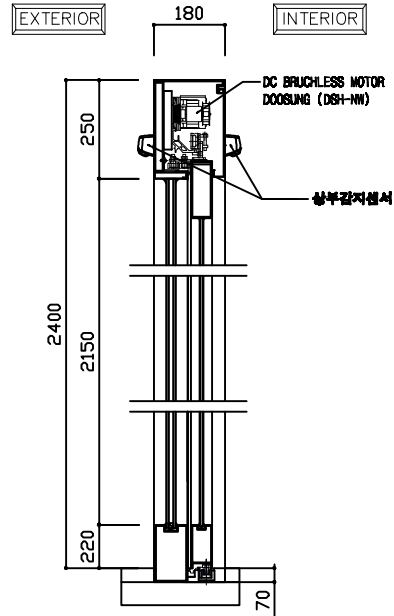
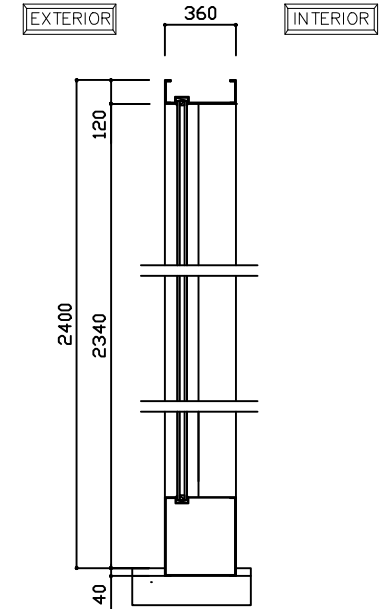


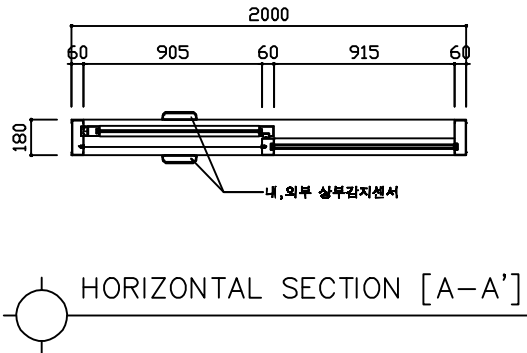
ELEVATION [EXTERIOR]



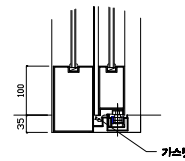
VERTICAL SECTION (OPEN)



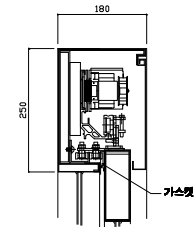
VERTICAL SECTION (FIX)



HORIZONTAL SECTION [A-A']



BOTTOM RAIL 문힘 상세도



ENGINE BOX 상세도